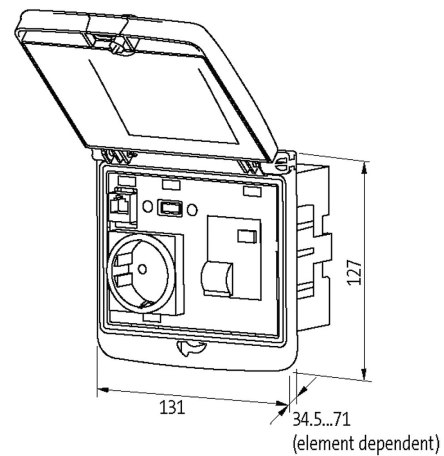


Modlink MSDD-set: Frame 4000-68524-0000001,

insert 4000-68000-4300003

Illustration



Product may differ from Image

Frame

suitable for mounting with wall thickness	1...5 mm
Protection	IP65
Housing	Frame: plastic PA black, cap: plastic PBT gray
Temperature range	-30...+70 °C (storage temperature -30...+80 °C)

General data

Dimensions H×W×D	88×116×72 mm
------------------	--------------

RJ45

Operating voltage (UL Rating)	max. 30 V AC/42.4 V DC
Operating current (UL Rating)	max. 175 mA
Connection front side	RJ45
Connection rear side	RJ45
Locking of ports	Snap In
Specification	CAT5e, Class D, 100 MHz, (EN 50173-1)

USB

Operating voltage	48 V AC/DC
-------------------	------------

Operating voltage (UL Rating)	max. 30 V AC/42.4 V DC
Operating current	1.5 A
Locking of ports	Snap In
Specification	USB: 3.0 (max. 5 Gbit/s)

Germany (VDE)

Operating voltage	250 V AC
Operating current	16 A
No. of poles	2 + PE
Connection	Spring clamp terminals: max. 2× 2.5 mm ² (AWG 14)

Commercial data

country of origin	DE
customs tariff number	85366990
EAN	4048879460903
eClass	27144001
Packaging unit	1